



Main Features

- Remote management
- Remote application
- Application domain
- Industrial protocols are required
- Real-time data and status are required
- Remote monitoring and control based on HTML5
- Rich Protocols and communications support
- Daisy-Chain Networking and RS-485
- Data Storage and Cloud Storage
- Data to cloud and Situation room
- Users can develop their own functions
- Customized OLED Menu
- Broadcast Update

Product Overview

nDAS is a data acquisition system that can be applied in green energy, energy management, remote control, HVAC & AUQA, FA, etc. , and Industrial communication requires data exchange. When you are far away from the device, you can monitor the status of the device in real time, collect data, connect data, etc. Support data storage and cloud storage, simple settings can easily connect to the cloud.

Highlight

- Can use cross-platform HTML5 web pages to allow users to monitor and operate devices remotely
- Provides common communication protocols such as REST API, TCP/IP, Modbus RTU/TCP, OPCUA, SECS/GEM Equipment, Line, WeChat, Mail, Teams, SQL Client
- TCP / RS-485 can support Modbus TCP/RTU data exchange, and support Dual-LAN, Ring and Daisy-Chain. Also having Auto-bypass protection allows any device in Daisy-Chain to continue for 48 hours after power failure, so the damage can greatly reduced.
- It can record more than 10,000 sample data locally, and also supports direct upload of data to the cloud disk Dropbox, One drive, Google drive in the available space
- Provide flexible development and condition tools such as VIC-Flow and Python, allowing users to easily develop unique functions and conditions
- Users can create their own OLED graphics in the menu, and can Quickly update settings

Common Specifications

Power

- DC 9~30V

Watchdog

- Timer 1~255sec, by SW Control

Environment

- Operating temperature:
Ambient with air flow:
-25°C to 70°C
0°C to 50°C (with OLED or WIFI module)
- Storage temperature: -40°C to 85°C
- Relative humidity: 95 %, no condensing
- EMI: class A
- ESD immunity: Contact +-5KV / Air +-9KV

Net Weight(Kgs)

- 0.4 Kg

Dimensions

- 90 mm(W) x 38.7 mm(D) x 90 mm(M)

Mounting

- DIN Rail Mount

Certifications

- CE
-EN 61326 1
-EN 61000 6-2
-EN 61000 6-4
-EN 61131 2
- FCC

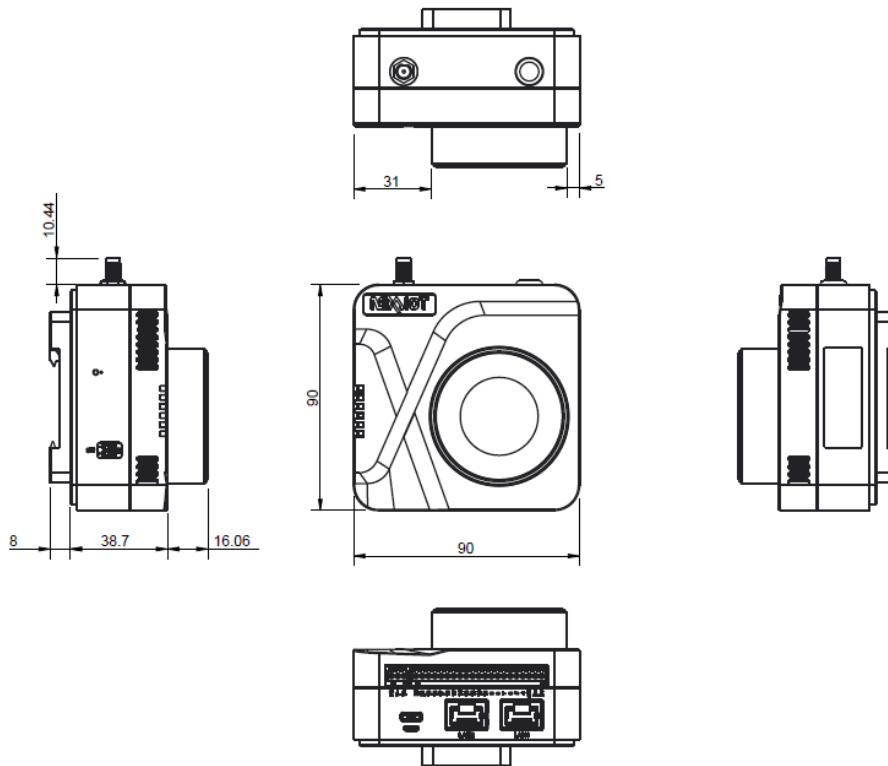
nDAS6000 Series

NexAIoT Data Acquisition System

Model	nDAS6000	nDAS6017	nDAS6050	nDAS6051	nDAS6056	nDAS60XX-OLED	nDAS60XX-WIFI
P/N	10ND0600000X0	10ND0601700X0	10ND0605000X0	10ND0605100X0	10ND0605600X0	TBA	TBA
Description	Gateway	8x AI (24 Bit ADC)	8x DI & 8x DO	16x DI	16x DO	Graph and Text Display 128 x 128	IEEE802.11 a/b/g/n/ac Wi-Fi
AI (Isolation)		Voltage: ± 150 mV, ± 500 mV, ± 1 V, ± 5 V, ± 10 V (Default) Current: ± 20 mA, $0 \sim 20$ mA, $4 \sim 20$ mA (DIP Switch)					
DI (Isolation)			Wet Contact: Logic 0: $0 \sim \pm 3$ V DC Logic 1: $\pm 10 \sim \pm 30$ V DC	Wet Contact: Logic 0: $0 \sim \pm 3$ V DC Logic 1: $\pm 10 \sim \pm 30$ V DC			
DO (Isolation)			NPN (Sink), 30VDC, 500mA	NPN (Sink), 30VDC, 500mA			
Power	Isolation, DC 9~30V						
Networking	RS-485, Dual-LAN (DHCP/Static), Daisy-Chain, Ring, WIFI (Option)						
Operation Temperature	Wide Temp. $-25 \sim 70^{\circ}\text{C}$, 95% RH (OLED and WIFI only $0 \sim 50^{\circ}\text{C}$)						
Protocol	REST API, TCP/IP, Modbus RTU/TCP, OPCUA, SECS/GEM Equipment, Line, WeChat, Mail, Teams, SQL Client						
Modbus RTU/TCP Converter	Modbus TCP and RTU for Address Mapping						
Data to Log/Cloud	Local Data log, Data Log to Cloud Storage (Google Drive, Dropbox, One Drive), Azure, AWS S3/IoT, Private Server (TCP)						
VIC-Flow	Function Condition and Function block Operators, Sample Dashboard						



Dimension Drawing (With OLED and antenna cable)



Ordering Information

- nDAS6000 (P/N: 10ND0600000X0)
- nDAS6000 with OLED (P/N: 10ND0600001X0)
No incl. I/O Can be used as a gateway
- nDAS6017 (P/N: 10ND0601700X0)
- nDAS6017 with OLED (P/N: 10ND0601701X0)
8-ch Isolated Analogs Input
- nDAS6050 (P/N: 10ND0605000X0)
- nDAS6050 with OLED (P/N: 10ND0605001X0)
8-ch Isolated Digital Input and 8-ch Isolated Digital Output
- nDAS6051 (P/N: 10ND0605100X0)
- nDAS6051 with OLED (P/N: 10ND0605101X0)
16-ch Isolated Digital Input
- nDAS6056 (P/N: 10ND0605600X0)
- nDAS6056 with OLED (P/N: 10ND0605601X0)
16-ch Isolated Digital Output
- nDAS6030 (P/N: TBA)
- nDAS6030 with OLED (P/N: TBA)
2 x Isolated serial (RS232/422/485)
- nDAS6018 (P/N: TBA)
- nDAS6018 with OLED (P/N: TBA)
16-bit, 8-ch Isolated thermocouple (Type J, K, T, E, R, S, B)
- nDAS6015 (P/N: TBA)
- nDAS6015 with OLED (P/N: TBA)
4-ch Isolated Analogs Input and 8-ch Isolated Digital Output
- nDAS6012 (P/N: TBA)
- nDAS6012 with OLED (P/N: TBA)
Coming soon

Optional Accessories

- nDAS_Wi-Fi(P/N: 10ND0060000X0)
M.2 2230 Wi-Fi modules, IEEE802.11 a/b/g/n/ac.
- nDAS_OLED(P/N: 10ND0060001X0)
1.18-inch, 128 x 128 Dots.